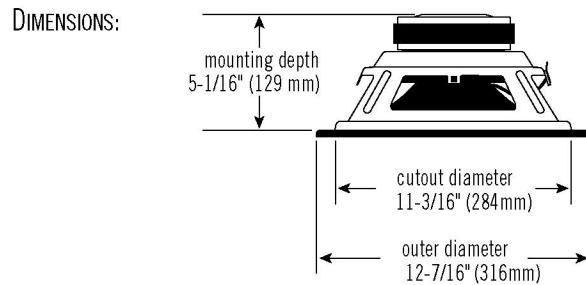




# GTO 1202D 12" Woofer – Technical Data

## SPECIFICATIONS

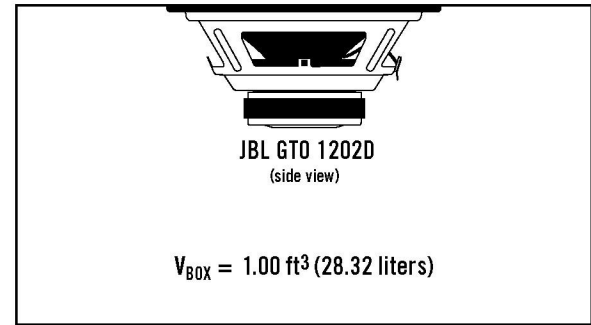
DIAMETER:	12" (305mm)
SENSITIVITY (2.83 V @ 1m):	93 dB
POWER HANDLING:	300 W <sub>RMS</sub> 1200 W <sub>PEAK</sub>
FREQUENCY RESPONSE:	23 ~ 400 Hz
NOMINAL IMPEDANCE:	1 OR 4 OHMS
VOICE-COIL DIAMETER:	2.0" (51.0 mm)



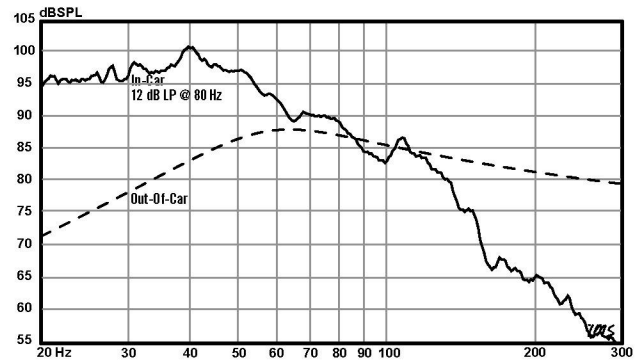
## THIELE-SMALL PARAMETERS

VOICE COIL DC RESISTANCE:	R <sub>EVC</sub> (OHMS) . . . . .	1.00
VOICE COIL INDUCTANCE @ 1 kHz:	L <sub>EVC</sub> (MH) . . . . .	0.71
DRIVER RADIATING AREA:	S <sub>D</sub> (IN <sup>2</sup> ) . . . . .	82.46
	S <sub>D</sub> (M <sup>2</sup> ) . . . . .	532.00
MOTOR FORCE FACTOR:	BL (TM) . . . . .	7.71
COMPLIANCE VOLUME:	V <sub>AS</sub> (FT <sup>3</sup> ) . . . . .	3.45
	V <sub>AS</sub> (LITERS) . . . . .	97.80
SUSPENSION COMPLIANCE:	C <sub>MS</sub> (µM/N) . . . . .	242.00
MOVING MASS, AIR LOAD:	M <sub>MS</sub> (GRAMS) . . . . .	189.00
MOVING MASS, DIAPHRAGM:	M <sub>MD</sub> (GRAMS) . . . . .	182.00
FREE-AIR RESONANCE:	F <sub>S</sub> (Hz) . . . . .	23.50
MECHANICAL Q:	Q <sub>MS</sub> . . . . .	7.14
ELECTRICAL Q:	Q <sub>ES</sub> . . . . .	0.47
TOTAL Q:	Q <sub>TS</sub> . . . . .	0.44
MAGNETIC-GAP HEIGHT:	H <sub>AG</sub> (IN) . . . . .	3/8
	H <sub>AG</sub> (MM) . . . . .	9.00
VOICE-COIL HEIGHT:	H <sub>VC</sub> (IN) . . . . .	1-5/16
	H <sub>VC</sub> (MM) . . . . .	34
MAXIMUM EXCURSION:	X <sub>MAX</sub> (IN) . . . . .	1/2
	X <sub>MAX</sub> (MM) . . . . .	12.50

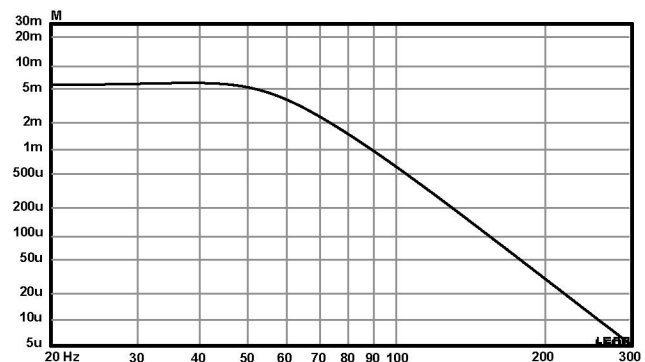
## SEALED BOX VOLUME (INCLUDES DRIVER DISPLACEMENT)



## SEALED ENCLOSURE FREQUENCY RESPONSE @ 2.83 V



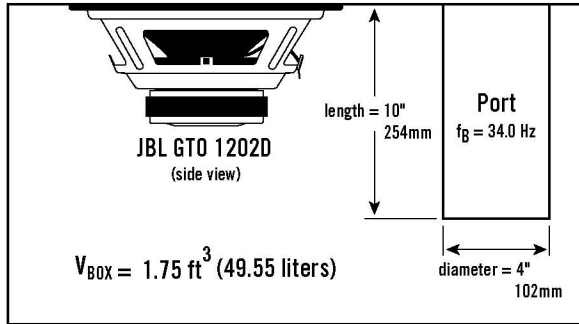
## SEALED ENCLOSURE CONE EXCURSION @ 300 W



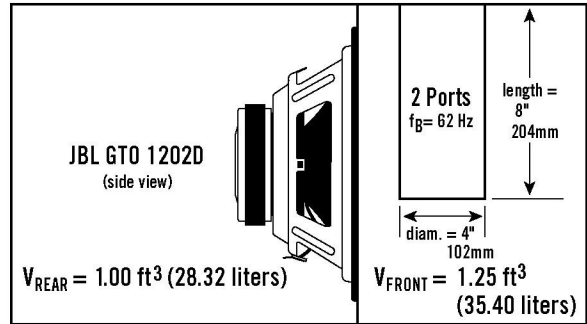


# GTO 1202D 12" Woofer – Technical Data

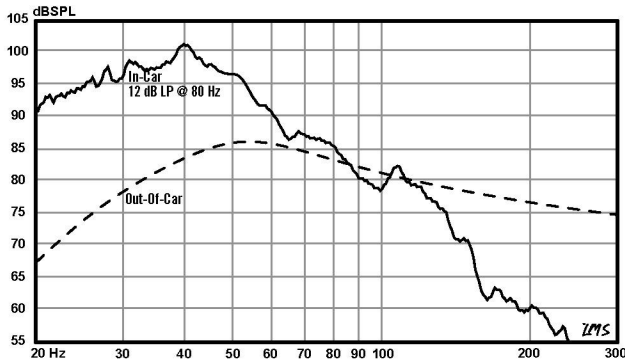
## VENTED BOX VOLUME (INCLUDES DRIVER/PORT DISPLACEMENTS)



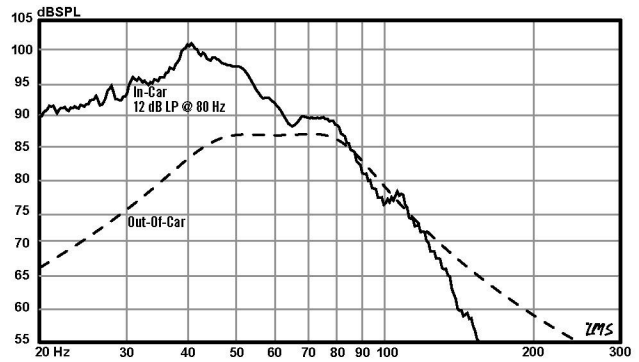
## BANDPASS BOX VOLUME (INCLUDES DRIVER/PORT DISPLACEMENTS)



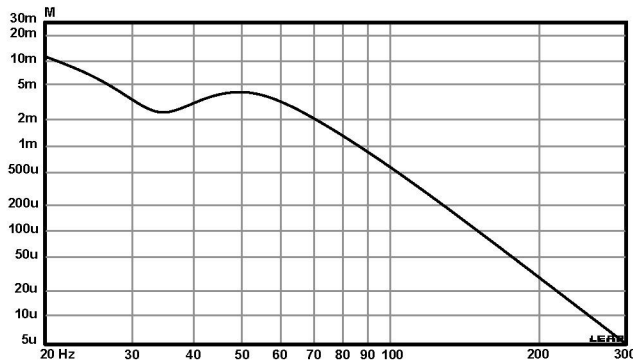
## VENTED ENCLOSURE FREQUENCY RESPONSE @ 2.83 V



## BANDPASS ENCLOSURE FREQUENCY RESPONSE @ 2.83 V



## VENTED ENCLOSURE CONE EXCURSION @ 300 W



## BANDPASS ENCLOSURE CONE EXCURSION @ 300 W

